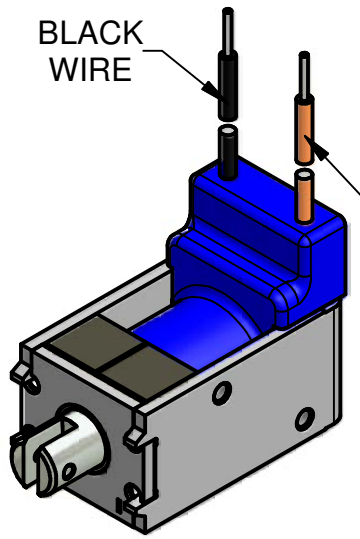


DWG. No. **A** D30ML SOLENOID

UNLESS OTHERWISE SPECIFIED

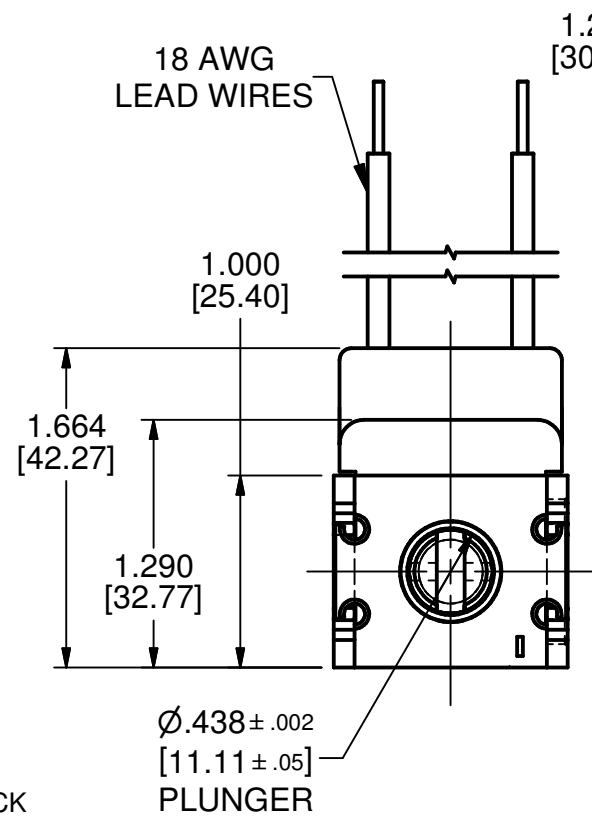
INCHES ±.015
[MILLIMETERS ±0.38]



BLACK WIRE

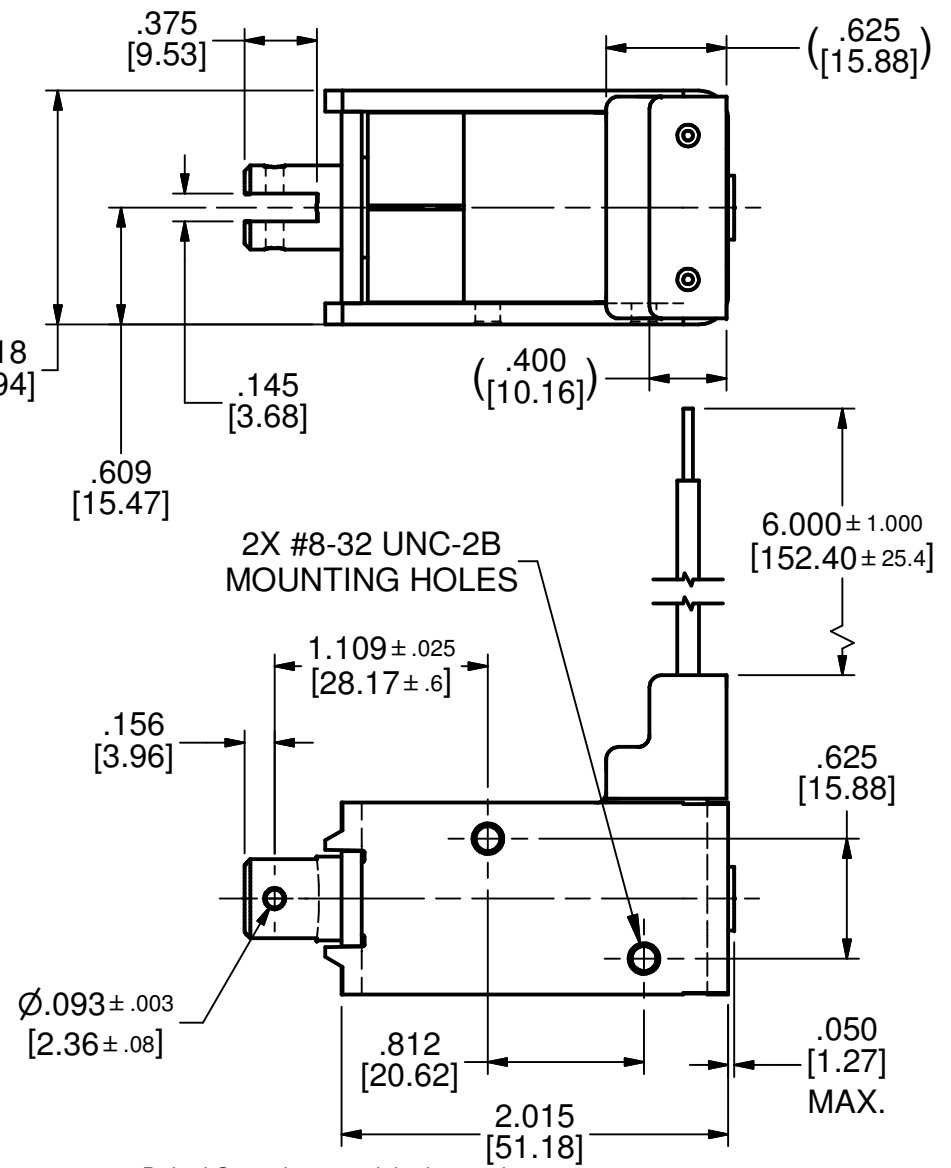
ORANGE WIRE

18 AWG LEAD WIRES



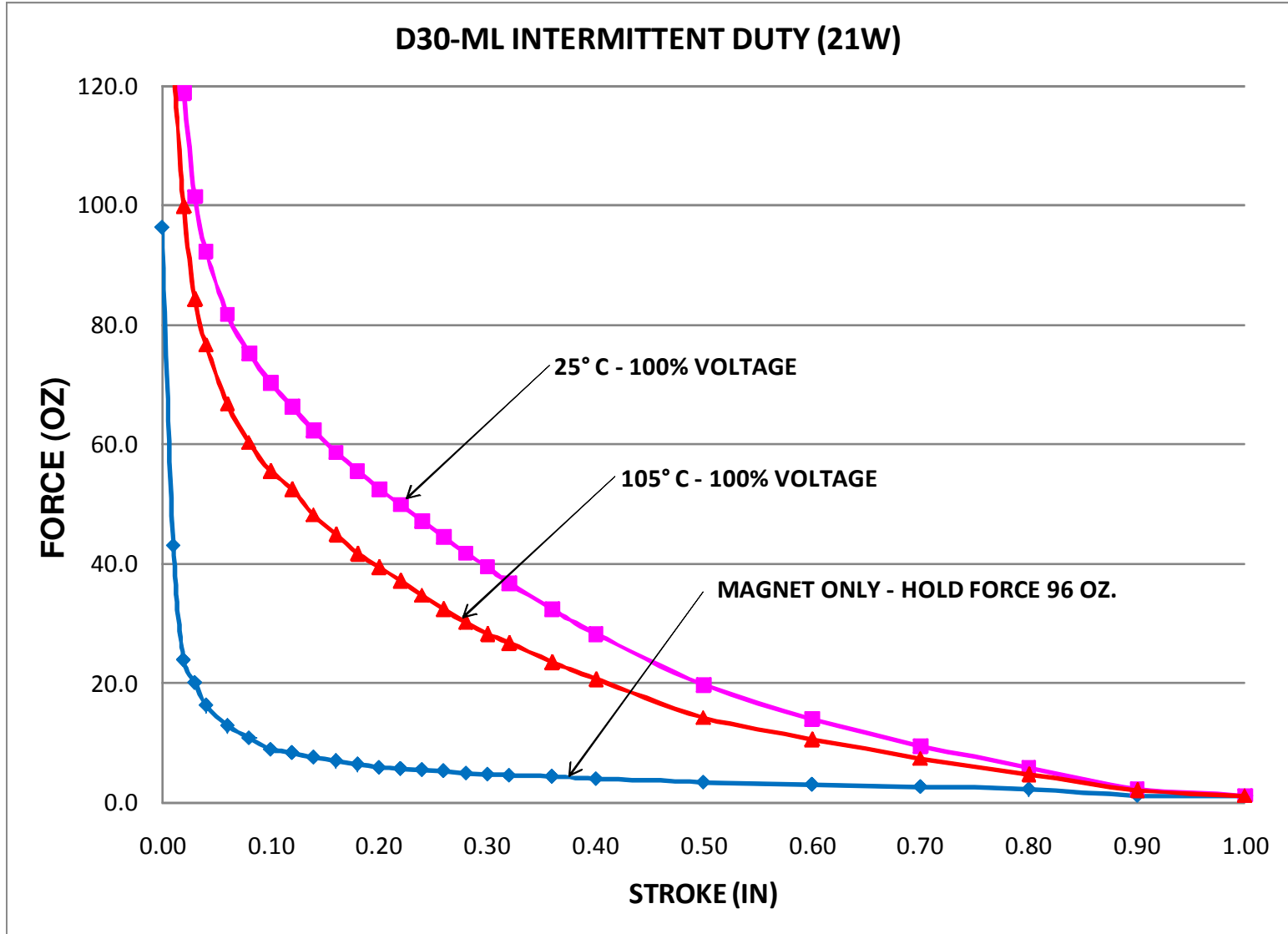
Ø.438 ± .002
[11.11 ± .05]
PLUNGER

PULL IN: (+) ORANGE | (-) BLACK
RELEASE: (-) ORANGE | (+) BLACK

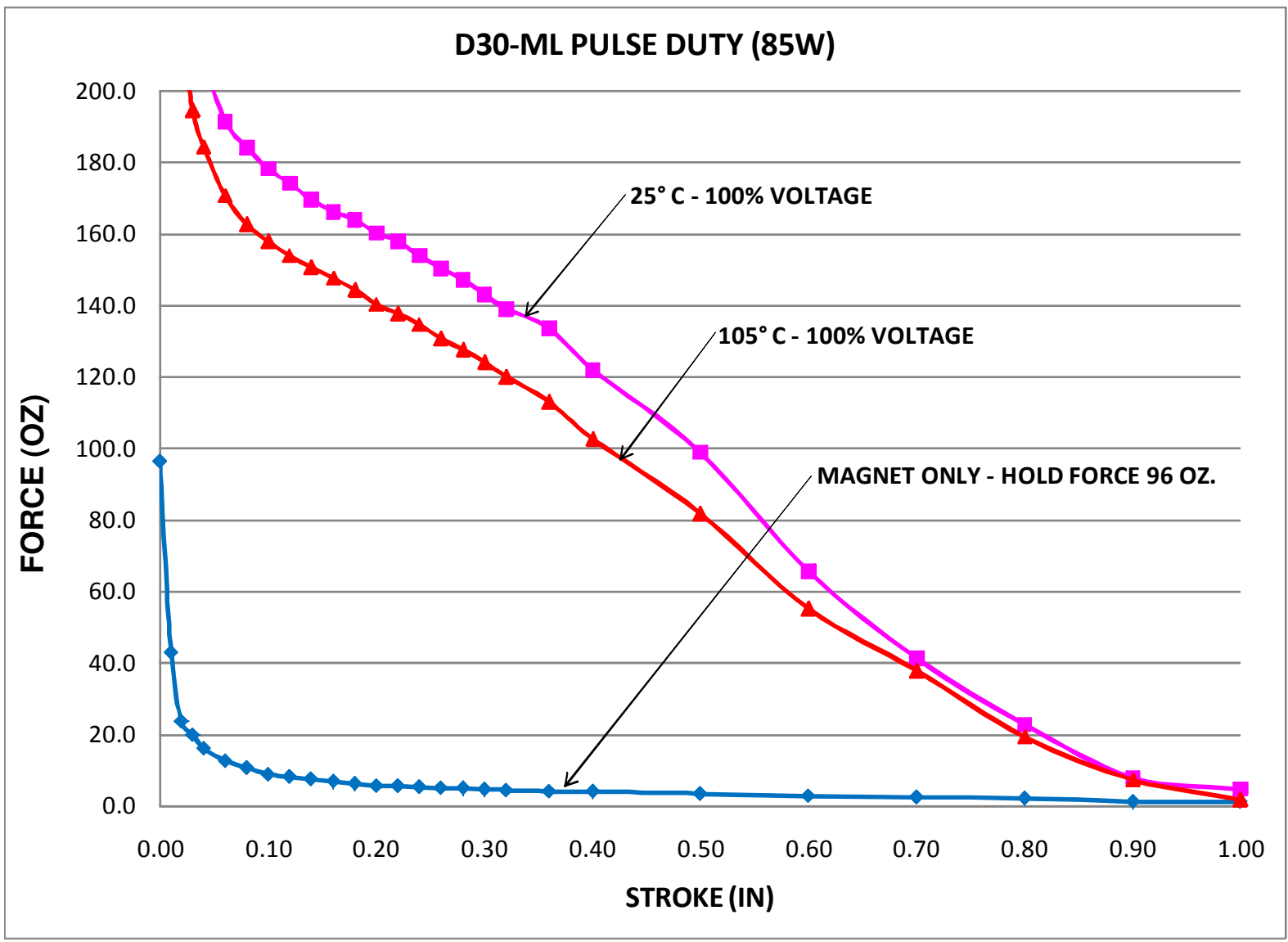


Deltrol Controls, www.deltrol-controls.com
2740 S. 20th St. | Milwaukee, WI 53215 | Phone: 414.671.6800 Fax: 414.671.6809

		MATERIAL		TOLERANCE (UNLESS SHOWN)		SCALE				NAME	
		FINISH		.XXX _____ .XX _____ DEG. _____ ◇ CRITICAL		DATE 2/2/2009				D30ML SOLENOID DIMENSIONAL DRAWING	
		FIRST USED ON:		DIMENSIONS PER ANSI/ASME Y14.5-1994		DR. BY BC		MILWAUKEE, WI. U.S.A.			
REV.	DESCRIPTION	DATE	BY	TOOL No.		APP. BY		I		DWG. NO. A D30ML SOLENOID	



			MATERIAL	TOLERANCE (UNLESS SHOWN) .XXX ± .005 .XX ± .01 DEG. ± 1° ◇ CRITICAL	SCALE	DEL TROL <i>controls</i> MILWAUKEE, WI. U.S.A.	NAME		
			FINISH	DIMENSIONS PER ANSI/ASME Y14.5-1994	DATE 2/11/2010		D30-ML INTERMITTENT DUTY		
			FIRST USED ON:	TOOL No.	DR. BY				
REV.	DESCRIPTION	DATE	BY		CKD BY				
					APPR. BY	I	DWG. NO. A	D30-ML	REV



				MATERIAL	TOLERANCE (UNLESS SHOWN) .XXX ± .005 .XX ± .01 DEG. ± 1° ◇ CRITICAL	SCALE	DEL TROL <i>controls</i> MILWAUKEE, WI. U.S.A.	NAME	D30-ML PULSE DUTY	
				FINISH	DIMENSIONS PER ANSI/ASME Y14.5-1994	DATE 2/11/2010				
				FIRST USED ON:	TOOL No.	DR. BY		CKD BY		
REV.	DESCRIPTION	DATE	BY			APPR. BY	I	DWG. NO. A	D30-ML	REV