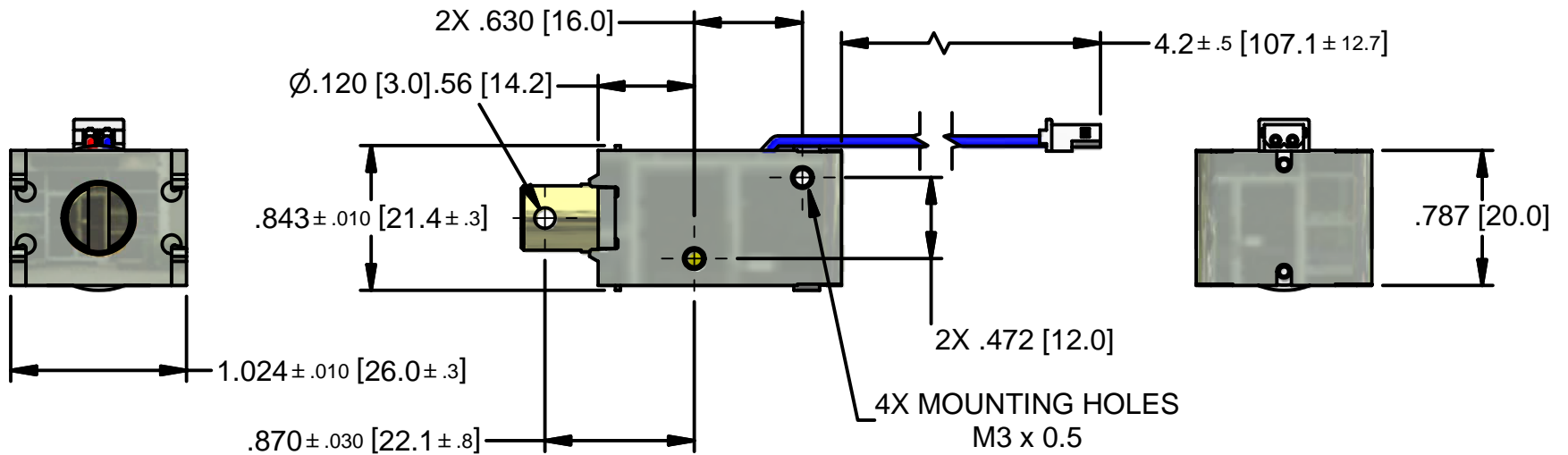
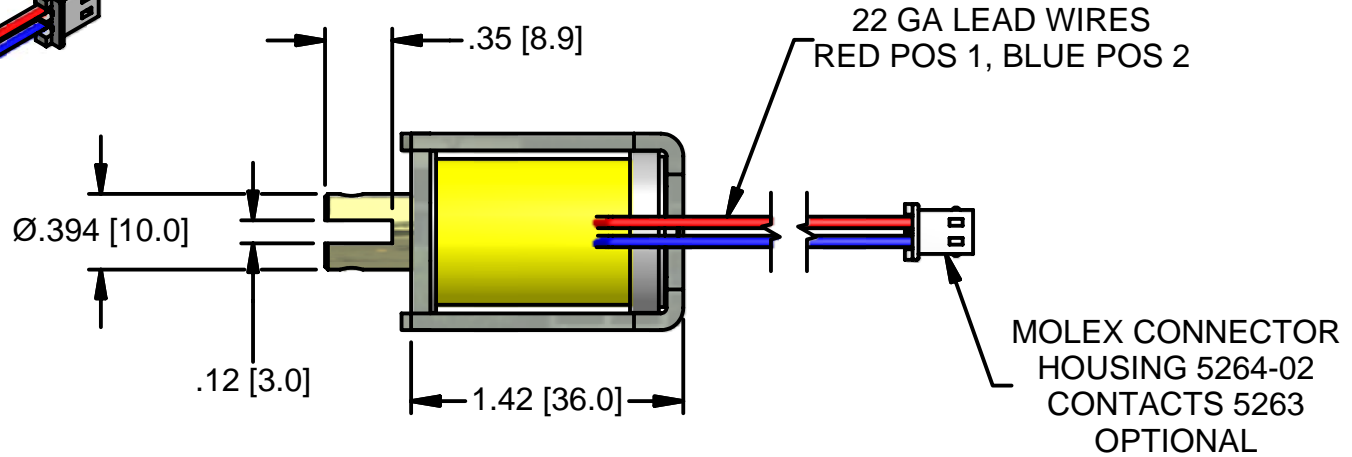


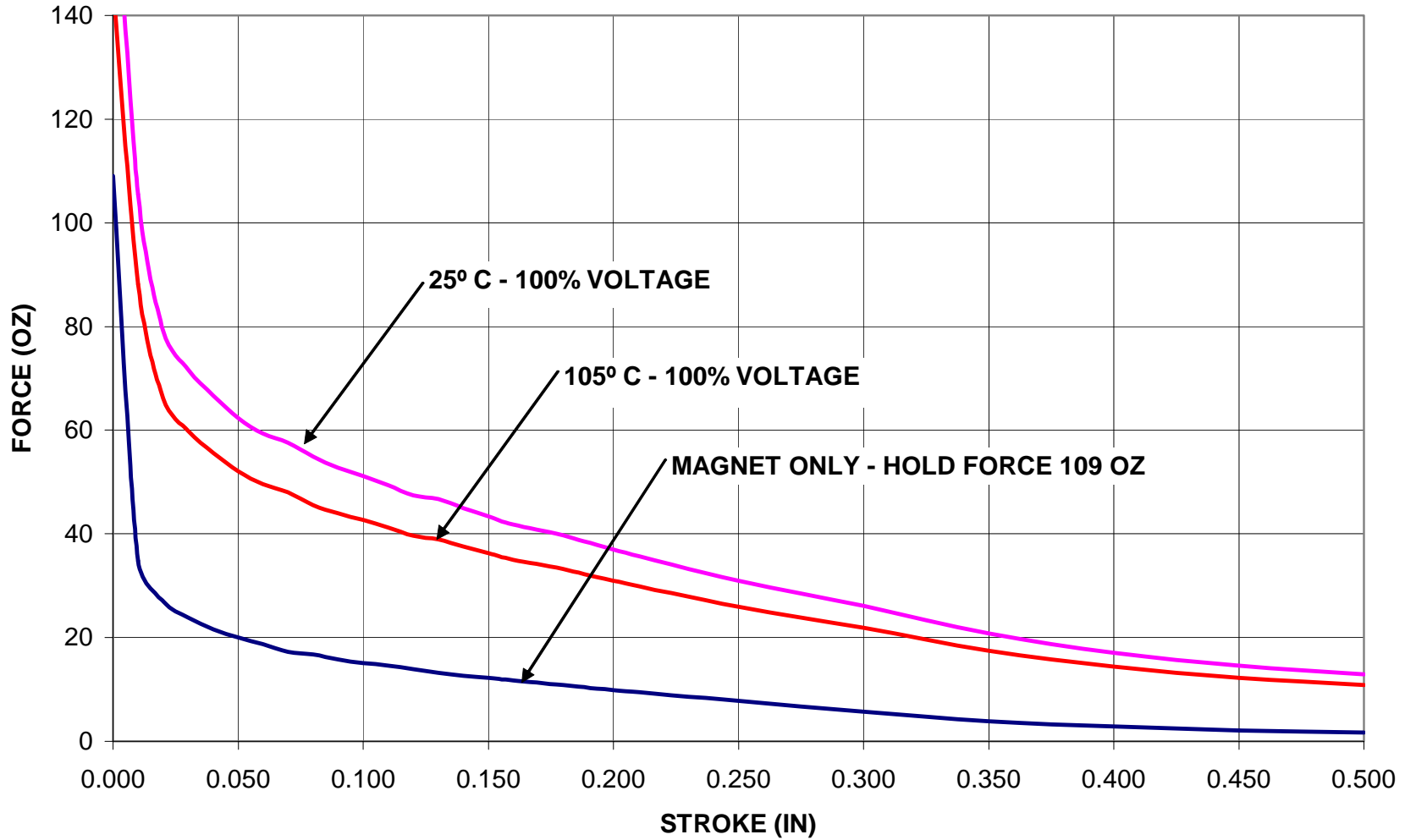
PULL IN: (+) RED | (-) BLUE  
 RELEASE: (-) RED | (+) BLUE




P97502

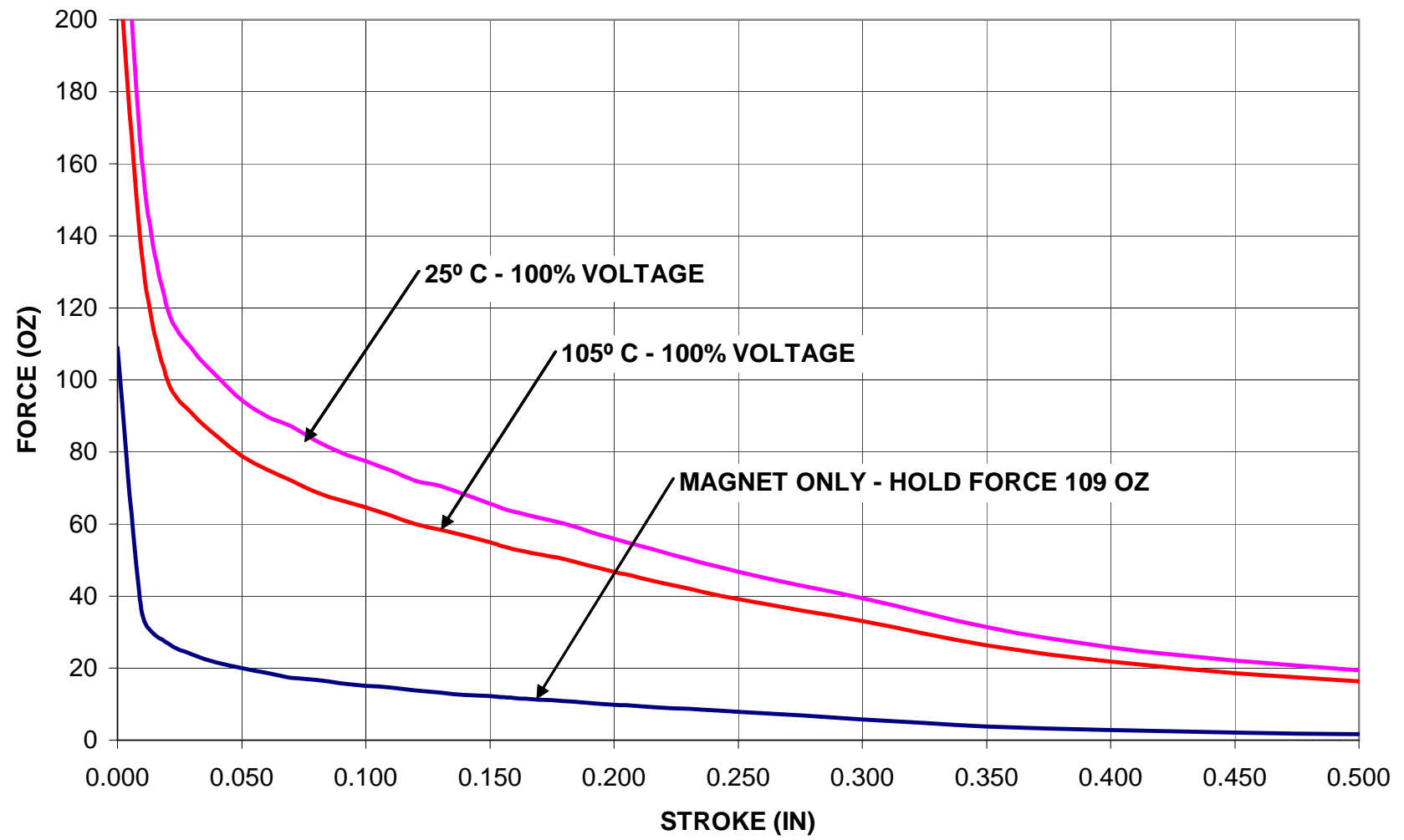
				MATERIAL	TOLERANCE (UNLESS SHOWN)	SCALE		NAME
				FINISH	.XXX ± .005	DATE		D26ML MAGNETIC LATCHING SOLENOID
				FIRST USED ON:	.XX ± .01	6/3/2008		
REV.	DESCRIPTION	DATE	BY		DEG. ± 1'	DR. BY		
A	REVISED	01/09/09			◇ CRITICAL	BC		
					DIMENSIONS PER ANSI/ASME Y14.5-1994	CKD BY	MILWAUKEE, WI. U.S.A.	
					TOOL No.	APPR. BY	I DWG. NO. A	D26-ML
								REV A

### D26ML INTERMITTENT DUTY (12W)



				MATERIAL		TOLERANCE (UNLESS SHOWN)		SCALE		<b>DEL TROL</b> <i>controls</i> 		NAME	
				FINISH		.XXX ± .005 .XX ± .01 DEG. ± 1° ◇ CRITICAL		DATE 6/3/2008				D26ML MAGNETIC LATCHING SOLENOID	
A		REVISED		01/09/09		DIMENSIONS PER ANSI/ASME Y14.5-1994		DR. BY		MILWAUKEE, WI. U.S.A.			
REV.		DESCRIPTION		DATE		TOOL No.		CKD BY		I		REV A	
				BY		APPR. BY				DWG. NO. A		D26-ML	

**D26ML PULSE DUTY (50W)**



				MATERIAL		TOLERANCE (UNLESS SHOWN)		SCALE				NAME	
				FINISH		.XXX ± .005 .XX ± .01 DEG. ± 1° ◇ CRITICAL		DATE 6/3/2008				D26ML MAGNETIC LATCHING SOLENOID	
A		REVISED		01/09/09				DR. BY		MILWAUKEE, WI. U.S.A.			
REV.		DESCRIPTION		DATE		BY		CKD BY		I		DWG. NO. A	
						FIRST USED ON:		APPR. BY		D26-ML		REV A	
						TOOL No.							