

Intellivalve Service Parts



The following components cannot be replaced in the field as they make up the control loop which requires factory calibration: Main control circuit board, Valve body flow meter, Diverter block with orifice, Pressure transducer, and Thermister.

Reference Drawing Item Number	Component Part Number	Component Description	Price
1	10200-40	Water Plunger	\$3.38
2	10200-41	Syrup Plunger	\$3.38
3	10200-50	Coil Assembly	\$7.26
4	10202-40	Solenoid Guide Tube & Bearing Assembly (Water & Syrup)	\$7.99
5	10203-40	Nozzle Assembly	\$6.71
6	10204-00	Spring for Water Side Plunger	\$1.16
7	10204-01	Spring for Syrup Side Plunger	\$1.16
8	10210-01	Anti-Bottoming Washer (Water & Syrup)	\$0.73
Not Shown	10210-40	Lever Pivot Pin (Intellifill)	\$1.92
10	10211-00	Retaining Plate for Solenoid Guide Tubes	\$1.55
11	10212-00	Screw for Retaining Plate (4 required)	\$0.57
12	10213-00	Screw for Back Plate (4 required)	\$0.57
13	10215-00	O-Ring for Base plate to Valve Body Interface	\$1.00
14	10215-01	O-Ring for Back Plate to Valve Body Syrup Port Interface	\$1.00
15	10215-02	O-Ring for Solenoid Guide Tube	\$1.00
16	10215-03	O-Ring for Back Plate to Valve Body Water Port Interface	\$1.00
17	10215-05	O-Ring for Flow Restrictor Plug	\$1.00
18	10215-06	O-Ring for Nozzle to Base Plate Interface	\$1.00
19	10223-01	Back Plate	\$2.89
20	10232-01	Coil Retaining Clip	\$1.05
21	10234-00	Plug for Flow Restrictor Port	\$0.36
22	10235-01	Valve Cover	\$3.77
23	10239-00	Lead Assembly for Coil	\$4.90
24	10240-00	Lever Pivot Shaft (Intellivalve)	\$0.47

NOTE: All specifications subject to change without notice.
Minimum Order \$25.00

Intellivalve Service Parts

Reference Drawing Item Number	Component Part Number	Component Description	Price
25	10241-00	Plastic Lever	\$1.75
Not Shown	10243-00	Stainless Steel Lever for Intellivalve (Self Serve)	\$2.18
Not Shown	10244-00	Lever Coupler (Intellivalve Stainless Steel Lever)	\$0.73
28	10245-00	Lead Assembly for Flow Meter	\$3.20
Not Shown	10253-00	Lever Coupler (Intellifill Stainless Steel Lever)	\$0.73
Not Shown	10254-00	Stainless Steel lever for Intellifill (Crew Serve)	\$2.18
Not Shown	10257-00	Lead Assembly for Intellifill Sensing Circuit	\$3.80
Not Shown	10258-01	Intellifill Sensing Circuit Control Board	\$10.65
Not Shown	10208-40	Cover w/ Water Only Option Switch Applied	\$6.63
Not Shown	10208-41	Cover w/ Self Serve Push Button Switch Applied	\$5.69
Not Shown	10208-42	Cover w/ Self Serve Push Button & Water Only Switch Applied	\$6.78
Not Shown	10208-43	Cover w/ Portion Control Switch Applied	\$6.53
Not Shown	10208-44	Cover w/ Portion Control & Water Only Switch Applied	\$7.55
Not Shown	10208-45	Cover w/ Intellifill Switch Applied	\$6.25
Not Shown	10208-46	Cover w/ Intellifill & Water Only Switch Applied	\$6.78

NOTE: All specifications subject to change without notice.

Minimum Order \$25.00

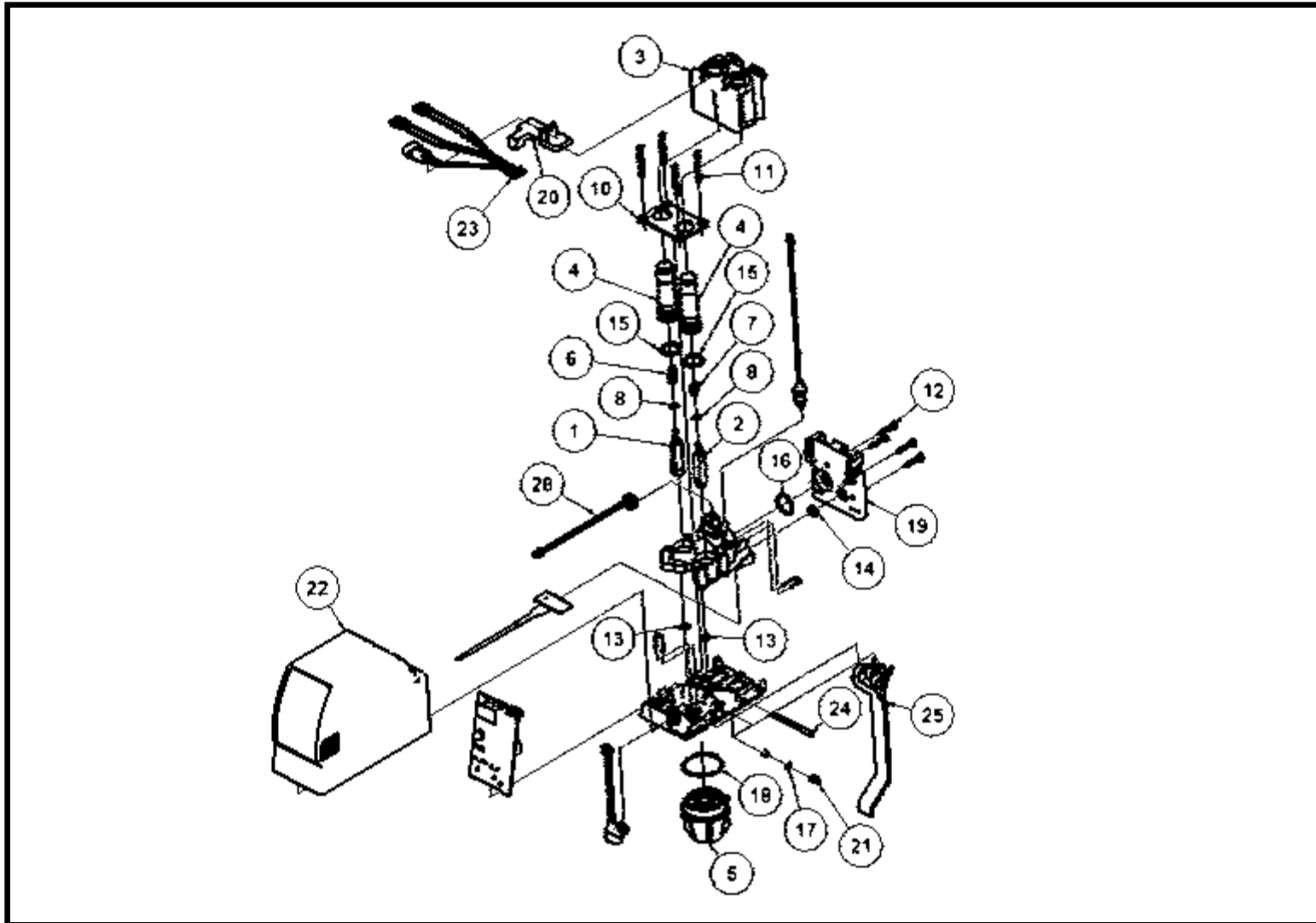
Intellivalve Service Kits, Part Packs

Kit Part Number	Kit Contents	Price
10240-40	All O-Ring Seals Required for the Intellivalve	\$8.00
10247-40	Water Plunger, Tube Assembly, Spring, Washer & O-Ring	\$14.26
10247-41	Syrup Plunger, Tube Assembly, Spring, Washer & O-Ring	\$14.26
10241-43	Intellivalve Lever Switch Assembly & Installation Instructions	\$3.20
10241-41	Intellifill Lever Switch Assembly & Installation Instructions	\$5.98
10206-40	Plastic Lever & Pivot Pin	\$2.22
10207-40	Stainless Steel Lever, Coupler & Pivot Pin	\$3.38
10211-40	Intellifill Lever , Coupler & Pivot Pin	\$3.99
10212-40	Large O-Ring for Nozzle - 10 Pack	\$8.03
10213-40	Power Wiring Harness - 10 Pack	\$20.19
10214-40	Coil Retaing Clip - 10 Pack	\$8.03
10217-40	Valve Cover for Lever Operated Assemblies - 10 Pack	\$20.29
10218-40	Nozzle Assembly - 5 Pack	\$15.04

Ordering Information for Replacement Parts & Service Kits
 Contact: Deltrol Controls Sales Department @ (414) 671-6800
 Susan Rogers (ext. 258)
 Frank Stadler (ext. 246)

NOTE: All specifications subject to change without notice.
 Minimum Order \$25.00

Intellivalve Reference Drawing



NOTE: All specifications subject to change without notice.

Minimum Order \$25.00